



BOMBSHELLS: Bioweaponized aerial drone patent uncovered; toxic venom peptides scientifically CONFIRMED in the blood and feces of covid victims

Description

Story summary:

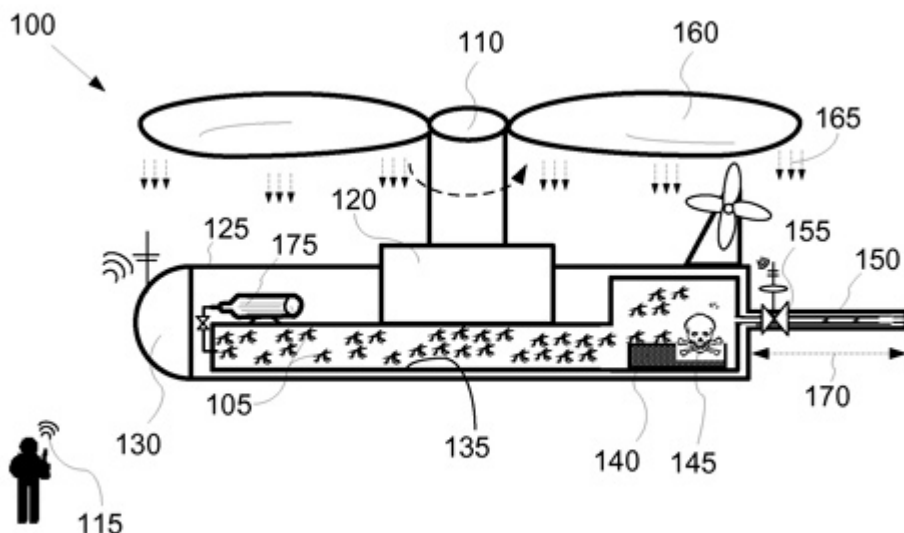
- Dozens of venom peptides have been identified and confirmed in the bodies of covid victims. Analysis was conducted via HPLC with mass spec molecular mass and ion fragmentation confirmation, published in a science journal and indexed by PubMed.
- A patent has been identified that describes a bioweapons aerial drone delivery system designed to kill “100% of enemy troops.”
- This drone bioweapons delivery system can be outfitted with aerosolized venom peptides to air drop toxins onto any population, in any city, at any time, *faking* a pandemic outbreak (no virus necessary).
- The system also houses mosquitos which can be fed “a toxin suitable to be transmitted by mosquito bite” to achieve mass kills of civilians or troops.
- Russia has identified precisely these sort of drones (with 20L liquid carrying capacity plus aerosolized dispersal capabilities) being used by the Ukrainian government, fully capable of spraying biological weapons onto Russian troops or civilians. See this story on NewsTarget.com.

Toxic mosquito aerial release system – US patent #US8967029B1

Hat tip to Dr. Tau Braun for alerting us to this patent after he viewed my recent interview with Dr. Jane Ruby and Dr. Bryan Ardis

This patent, [easily viewed via Google Patents at this link](#), was filed by, “TMARS Associates Trustee for Toxic mosquito aerial release system CRT Trust.”

The patent describes a bioweaponized mosquito release system using aerial drone release, designed to achieve a “100% kill rate” of enemy troops. The patent, in ruthlessly blunt language, also describes “small robotic devices” that deliver sickness agents to kill troops.



In the patent image above, notice the skull and crossbones in the lower right corner of the bioweapons container, which is feeding the mosquitos toxic molecules (could be chemicals, pathogens or venom peptides) with the purpose of having these injected into the intended targeted via mosquito bites.

“Sickness can be a very valuable military tool”

From the patent itself (emphasis added):

*Throughout military history, the health of one’s troops has always been an important determining factor. **Soldiers on the ground can only properly function if they are not ill, sick, or dying from a deadly virus or pathogen.** A soldier, whose immune system is trying to fight a bug or pathogen, will have no energy or ability to fight other soldiers. **Sickness can be a very valuable military tool** that can be more devastating than the most up-to-date military guns and equipment.*

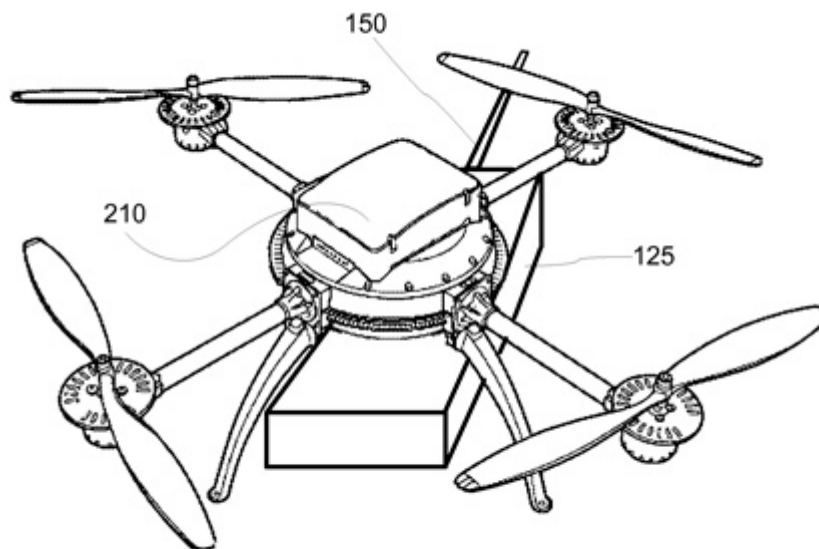
*Since making the enemy troops sick is an important military objective, one must then look at what means are available to **get the pathogens, germs, and viruses to the enemy.***

In today’s highly-advanced military technology, there are various types of small robotic devices that can try to get sickness agents close to enemy troops...

*This miracle of technology can carry a sickness agent, covertly go to the enemy area, specifically find the individual enemy, and can contaminate the enemy with absolutely no warning. This ultra high-tech device of nature is called a mosquito. If only there was a way for military planners to harvest and use the power of the mosquito, they could **easily sicken and kill large masses of enemy troops** without even a single shot being fired.*

*With the toxic mosquito aerial release system, **large masses of people can be immunized or enemy troops can now be wiped out** or rendered useless without having to risk or endanger our own troops.*

*The mosquitoes in the toxic mosquito aerial release system can be contaminated with various types of **genetically altered bacteria to activate the immune system**, or contaminated with toxic sickness agents depending on the objectives. For military purposes, the mosquitoes may be used to deliver an agent such as malaria to create sickness, or they could use much more toxic or highly contagious agents and viruses. A highly contagious virus could **wipe out 100% of the enemy troops** because the ones that did not get bitten will be contaminated by their fellow soldiers.*



Does any of this sound familiar? Why did NYC have a sudden “covid outbreak” in Feb / Mar of 2020 that did not spread to other U.S. cities along a predicted viral pandemic projection?

What’s fascinating here is that this aerial drone bioweapons release system means **it is possible to fake a pandemic by air dropping chemical toxins onto a population, without any virus existing at all**. Once the population uptakes the toxins, they are driven by media fear to beg for vaccines. These “vaccines” then inject them with mRNA instructions that can program their cells to synthesize venom peptide proteins in their own bodies, creating even more symptoms and causing “shedding” / spreading of the venom peptides to others around them. This is then called an “epidemic” of viral spread, when there’s no virus even necessary for this process to be created.

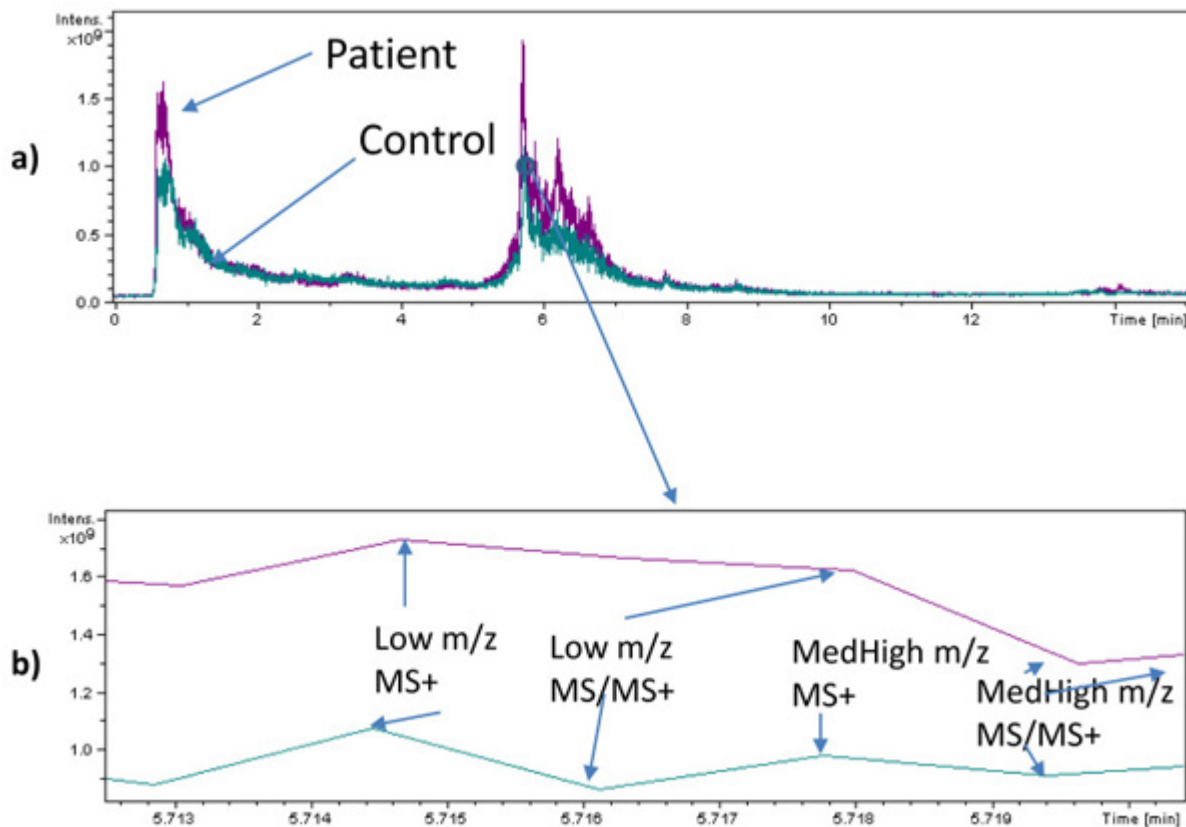
That doesn’t mean there isn’t a SARS-CoV-2 bioweaponized viral strain in existence, it just means that **no virus is required to stage an apparent “outbreak” and cause public panic**

about the latest pathogen. Everything we've seen with the so-called covid-19 pandemic could have been achieved without any virus at all.

“Venom theory” proven correct as scientists confirm presence of dozens of venom peptides in covid-19 victims

A study published in the *F1000 Research* journal, indexed by PubMed Central and available on the National Library of Medicine website (<https://www.ncbi.nlm.nih.gov/pmc/articles/PMC8772524/>) is titled, “Toxin-like peptides in plasma, urine and faecal samples from COVID-19 patients.”

This study used HPLC (liquid chromatography) combined with mass spec instruments to identify the presence of dozens of venom peptide components in the feces and blood plasma of covid-19 victims. Authored by Carlo Brogna and other Italian researchers, the study, “reports the identification of toxin-like peptides in COVID-19 patients by application of the Liquid Chromatography Surface-Activated Chemical Ionization – Cloud Ion Mobility Mass Spectrometry.”

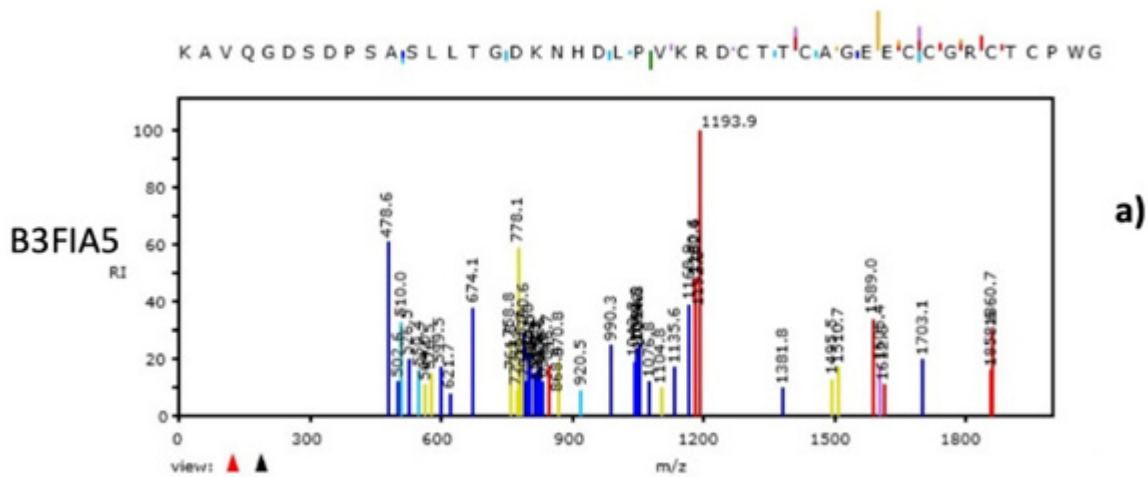


The full list of toxic peptides and venom peptide components identified in the bodies of covid-19 victims include:

- Conotoxin Pu6.1
- Conotoxin Vi15a
- Putative alpha-conotoxin Qc alphaL-1
- Conotoxin 10
- Rho-conotoxin TIA

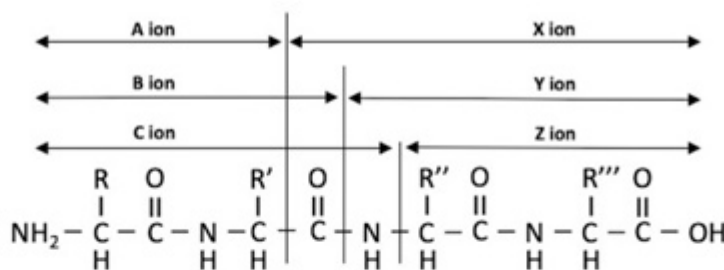
Kunitz-type serine protease inhibitor conotoxin Cal9.1a
Alpha-conotoxin Pu1.5
Conotoxin Fla16d
Phospholipase A2 MALT0035C
Phospholipase A2 AP-PLA2-I
Acidic phospholipase A2 PePLA2
Basic phospholipase A2 BFPA
Basic phospholipase A2 PL-X
Complement factor B Ba fragment
Acidic phospholipase A2 homolog textilotoxin D chain
Acidic phospholipase A2 homolog textilotoxin D chain
Venom prothrombin activator pseutarin-C non-catalytic subunit
Coagulation factor V
Venom prothrombin activator oscutarin-C non-catalytic subunit
Short neurotoxin 4
Conotoxin Cl9.6
Zinc metalloproteinase-disintegrin-like halysase
Alpha-elapitoxin-Oh2b
Sigma-conotoxin GVIIIA
Conotoxin Mr15.2
Conotoxin mr3g
Contryphan-R
Snake venom metalloprotease inhibitor 02D01
Bradykinin-potentiating and C-type natriuretic peptides
Bradykinin-potentiating and C-type natriuretic peptides
Zinc metalloproteinase/ disintegrin

Note that these include “conotoxins” which the study says, “are neurotoxic peptides isolated from the venom of marine (genus Conus) cone snails.”



a)

MS/MS peptide fragmentation pathways



b)

Protein	ID	Ion Type	m/z	Database	-log(e)	FDR pvalue
Conotoxin Vi15a	B3FIA5	[M+2H] ²⁺	2362.53 991	Uniprot	89	0.005

c)

The study adds:

The presence of conotoxin peptides might explain the occurrence of many symptoms (like hyposmia, hypogeusia and the signs typical of Guillain-Barre syndrome) observed in some COVID-19 patients. Their presence can alter normal functioning of ion channels, nicotinic acetylcholine receptors and of acetylcholine levels.

Dr. Bryan Ardis tried to warn the world about toxic venom peptides, and he was ridiculed by nearly everyone

The bottom line? **Dr. Bryan Ardis was correct all along.** And so was Stew Peters for daring the grant Dr. Ardis a platform to speak (for the record, I also interviewed Dr. Ardis and published that interview on Brighteon.com.) The so-called “venom theory” that has been dismissed or even mocked by other

analysts and observers turns out to be a critical component in understanding the origins and presence of so-called “covid-19” which might be more appropriately called “COVENOM-19.”

Get the full, astonishing details in today’s Situation Update podcast. Here’s a summary of what’s covered:

- Up to a million Democrats can’t vote because of vaccine injury or death
- First election in the post-vaccine genocide era
- Tonga volcanic eruption achieved unprecedented water vapor plume
- Will cause crop failures across the planet for 2 years to come
- Stephen Colbert begs to join the globalist illuminati and push depopulation
- Democrats PROJECT their own agenda, claiming Republicans will murder children
- HALF of college students demand DEATH penalty for “offensive” speech
- Bombshell science study finds VENOM peptides in covid victims
- Dr. Bryan Ardis is proven correct with “venom theory”
- Synthesized venom peptides can be mass produced using engineered e.coli
- mRNA shots can inject people with instructions to produce venom peptides
- Transforms the human body into a venom factory, poisoning from within
- Synthetic venom peptides can be mass produced and freeze dried
- Patent uncovered for aerial drone delivery of chemical and biological weapons
- Ukraine caught trying to buy long-range bioweapon drones for spraying toxins
- US Patent #US8967029B1 describes delivery of biological agents to kill the masses
- Patent filed by “Toxic mosquito aerial release system CRT Trust”
- Designed to “sicken and kill large masses of enemy troops”
- Viral outbreaks can be FAKED by dropping venom peptides on populations

by: Mike Adams

Category

1. Crime-Justice-Terrorism-Corruption
2. Disasters-Crisis-Depopulation-Genocide
3. Health-Wellness-Healing-Nutrition & Fitness
4. Main
5. NWO-Deep State-Dictatorship-Tyrrany

Date Created

November 2022